

**Western  
Wood  
Products  
Association**

# Standard Patterns



# STANDARD PATTERNS

## CONTENTS

|   |                   |
|---|-------------------|
| <b>Paneling</b> .....                             | <b>4</b>          |
| <b>Paneling and Siding</b> .....                  | <b>6</b>          |
| <b>Siding</b> .....                               | <b>7</b>          |
| <b>Ceiling</b> .....                              | <b>12</b>         |
| <b>Ceiling and Partition</b> .....                | <b>13</b>         |
| <b>Partition</b> .....                            | <b>14</b>         |
| <b>Shiplap</b> .....                              | <b>15</b>         |
| <b>Tongued &amp; Grooved</b> .....                | <b>16</b>         |
| <b>Decking</b> .....                              | <b>16</b>         |
| <b>Decking and Flooring</b> .....                 | <b>20</b>         |
| <b>Flooring</b> .....                             | <b>21</b>         |
| <b>Corn Cribbing</b> .....                        | <b>22</b>         |
| <b>Grooved Roofing</b> .....                      | <b>22</b>         |
| <b>Patent Lath</b> .....                          | <b>22</b>         |
| <b>Stile</b> .....                                | <b>22</b>         |
| <b>Sill</b> .....                                 | <b>22</b>         |
| <b>Jamb</b> .....                                 | <b>22</b>         |
| <b>Ogee Batten</b> .....                          | <b>23</b>         |
| <b>Casket Stock</b> .....                         | <b>23</b>         |
| <b>Beaded Shelving</b> .....                      | <b>23</b>         |
| <b>Unseasoned Tongued<br/>&amp; Grooved</b> ..... | <b>24</b>         |
| <b>Unseasoned Shiplap</b> .....                   | <b>24</b>         |
| <b>Coverage Estimator</b> .....                   | <b>27</b>         |
| <b>Siding Specification<br/>Checklist</b> .....   | <b>27</b>         |
| <b>Grade Selector<br/>Chart</b> .....             | <b>back cover</b> |

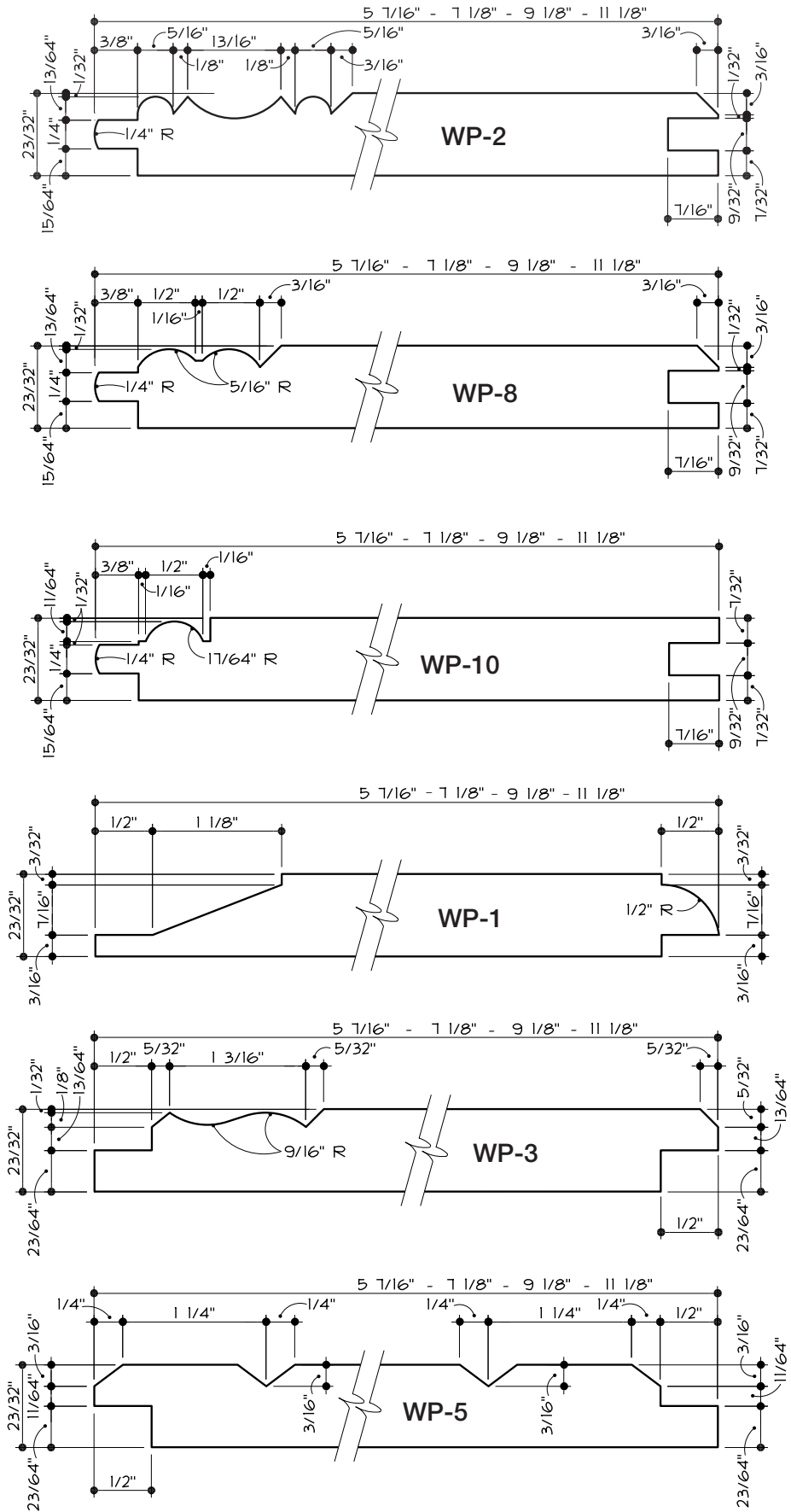
All patterns depicted in this publication are drawn to scale and printed at 70% actual size.

## STANDARD PATTERNS LUMBER ABBREVIATIONS

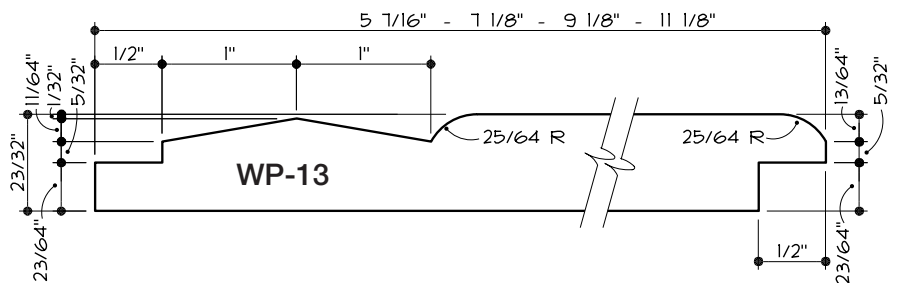
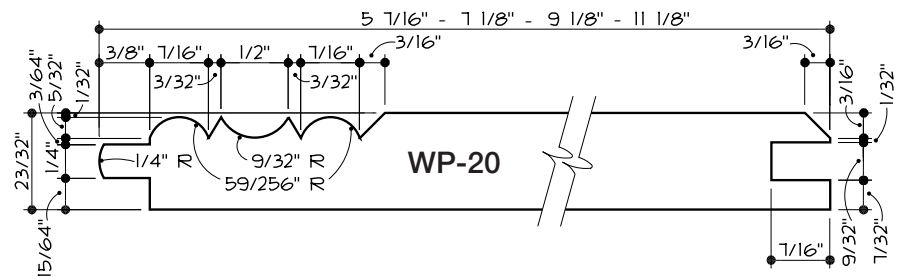
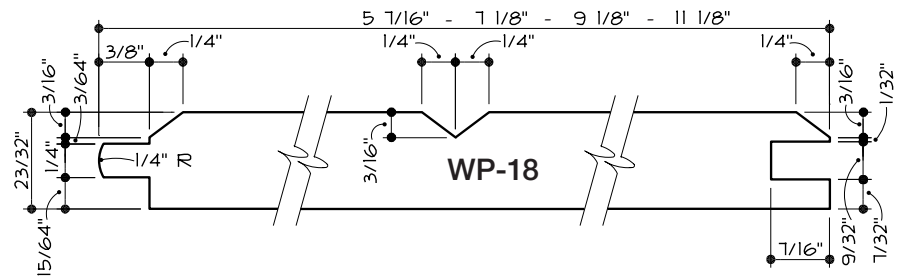
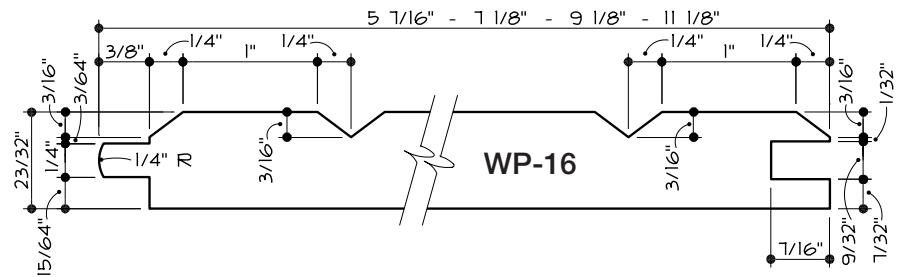
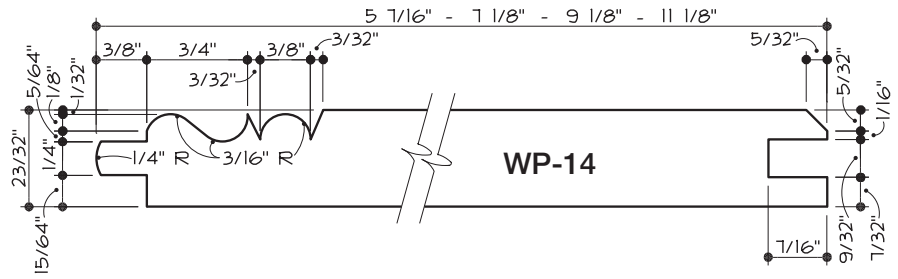
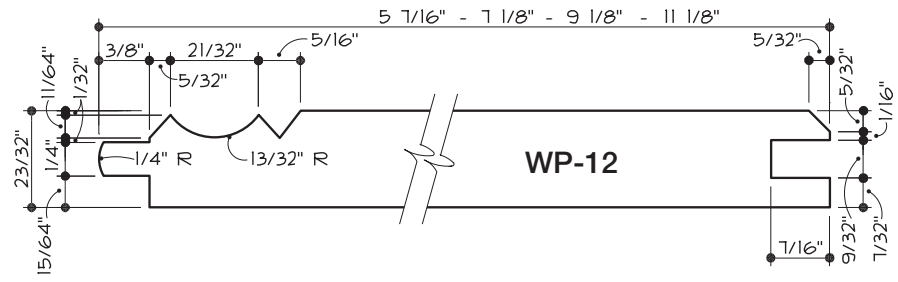
|         |                              |
|---------|------------------------------|
| BEV     | Beveled                      |
| BEV SDG | Beveled siding               |
| BS      | Both sides                   |
| CB      | Center Beaded                |
| CB1S    | Center bead one side         |
| CB2S    | Center bead two sides        |
| CG      | Center groove                |
| CG2E    | Center groove two edges      |
| CLG     | Ceiling                      |
| CM      | Center matched               |
| CS      | Caulking seam                |
| CSG     | Casing                       |
| CV      | Center Vee                   |
| CV1S    | Center vee one side          |
| CV2S    | Center vee two sides         |
| D2S     | Dressed two sides            |
| D4S     | Dressed four sides           |
| DB CLG  | Double-beaded ceiling        |
| DB PART | Double-beaded partition      |
| DBL T&G | Double tongued & grooved     |
| D&CM    | Dressed & center matched     |
| DKG     | Decking                      |
| D/S,DS  | Drop Siding                  |
| D S/L   | Double shiplap               |
| DVJM    | Double vee-jointed matching  |
| D&M     | Dressed & matched            |
| E       | Edge                         |
| EB1S    | Edge bead one side           |
| EB2S    | Edge bead two sides          |
| E&CB2S  | Edge & center bead two sides |
| EV1S    | Edge vee one side            |
| EV2S    | Edge vee two sides           |
| E&CV1S  | Edge & center vee one side   |
| E&CV2S  | Edge & center vee two sides  |
| EE      | Eased Edges                  |
| EG      | Edge (vertical) grain        |
| EM      | End matched                  |
| EV      | Edge vee                     |
| FE      | Feathered edge               |
| FG      | Flat (slash) grain           |
| FLG     | Flooring                     |
| F&G     | Feathered & grooved          |
| G1E     | Grooved one edge             |
| HB      | Hollow back                  |
| MG      | Mixed Grain                  |
| N       | Nosed                        |

|            |                                     |
|------------|-------------------------------------|
| N1E        | Nosed one edge                      |
| N2E        | Nosed two edges                     |
| OS         | One side                            |
| PAT        | Pattern                             |
| P1E        | Planed one edge                     |
| P2E        | Planed two edges                    |
| P1S        | Planed one side                     |
| P2S        | Planed two sides                    |
| P4S        | Planed four sides                   |
| P1S1E      | Planed one side one edge            |
| P2S1E      | Planed two sides one edge           |
| P1S2E      | Planed one side two edges           |
| PAR        | Planed all 'round                   |
| PART       | Partition                           |
| PE         | Planed edge                         |
| PPE        | Planed plain edge                   |
| PSE        | Planed square edge                  |
| PSJ        | Planed & square jointed             |
| PTG        | Planed tongued & grooved            |
| R&B        | Rabbit & bead                       |
| S          | Side, Surfaced                      |
| SB1S       | Single bead one side                |
| SDG        | Siding                              |
| SG         | Slash (flat) grain                  |
| S/L, or SL | Shiplap                             |
| SQ         | Square                              |
| STPG       | Stepping                            |
| S&E        | Side & edge (surfaced on)           |
| S1E        | Surfaced one edge                   |
| S2E        | Surfaced two edges                  |
| S1S        | Surfaced one side                   |
| S4S        | Surfaced four sides                 |
| S1S&CM     | Surfaced one side & center matched  |
| S2S&CM     | Surfaced two sides & center matched |
| S4S&CS     | Surfaced four sides & caulking seam |
| S1S1E      | Surfaced one side one edge          |
| S1S2E      | Surfaced one side two edges         |
| S2S1E      | Surfaced two sides one edge         |
| S4SEE      | Surfaced four sides eased edges     |
| T&G        | Tongued & grooved                   |
| TG&B       | Tongued, grooved, & beaded          |
| TG&V       | Tongued, grooved, & vee-jointed     |
| T1E        | Tongued one edge                    |
| UE         | Unedged                             |
| VG         | Vertical grain                      |
| VJM        | Vee-joint matching                  |

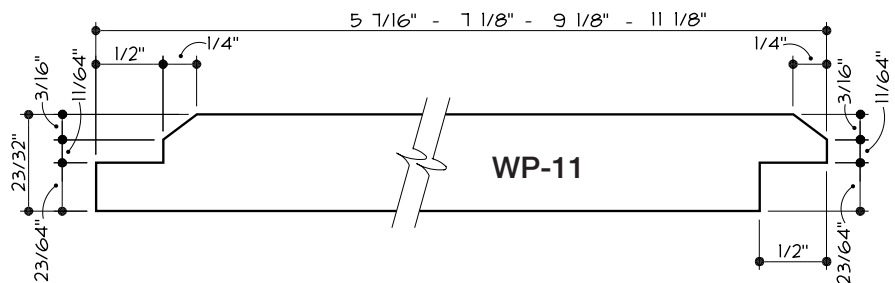
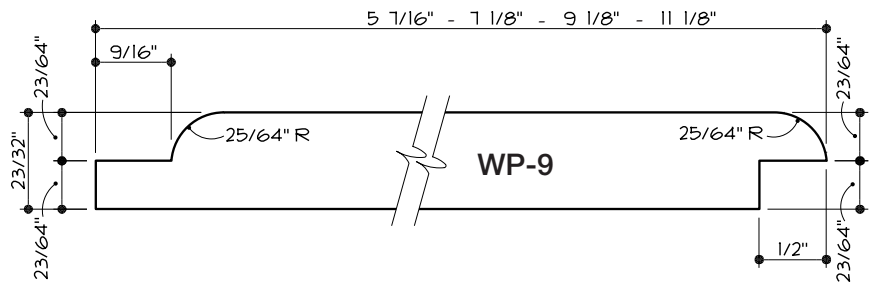
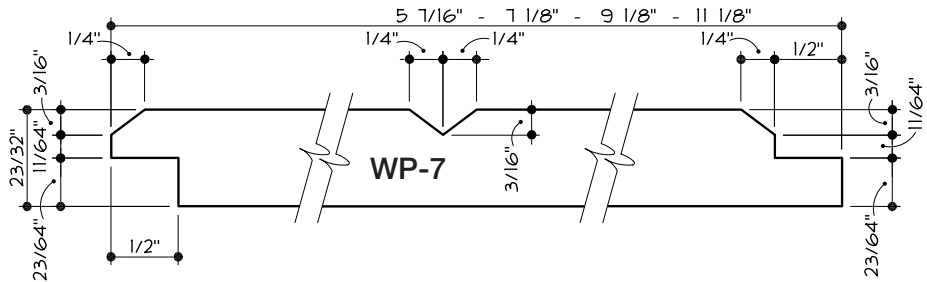
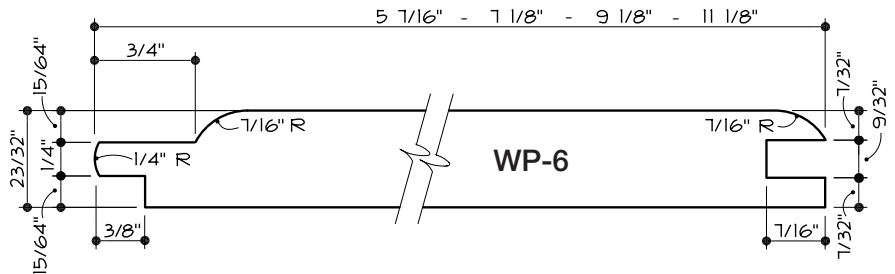
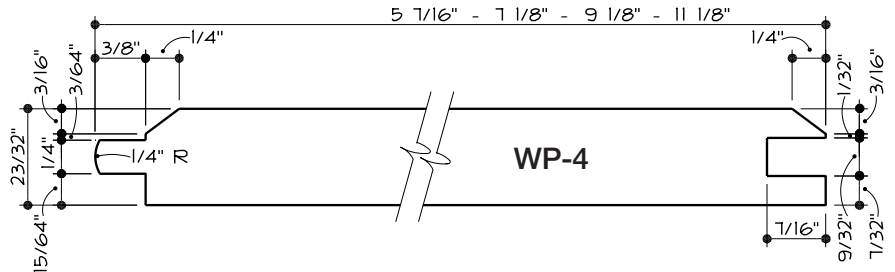
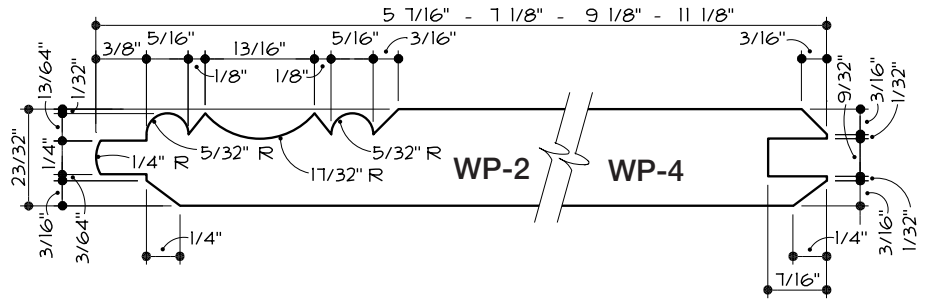
# Paneling



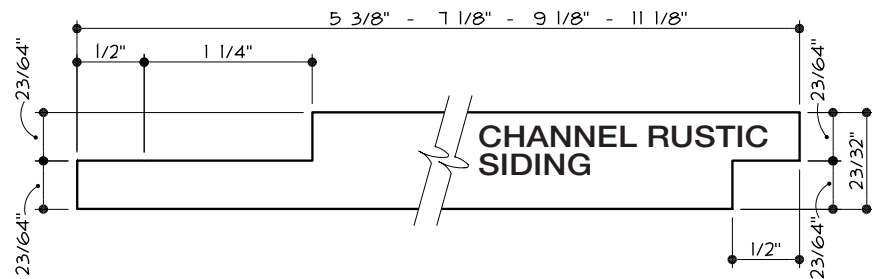
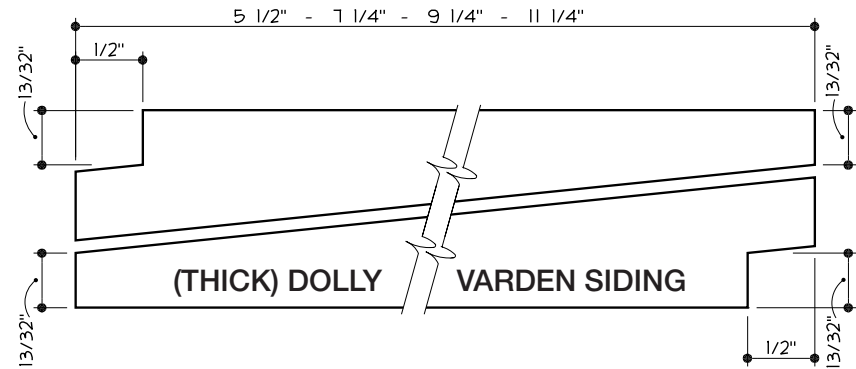
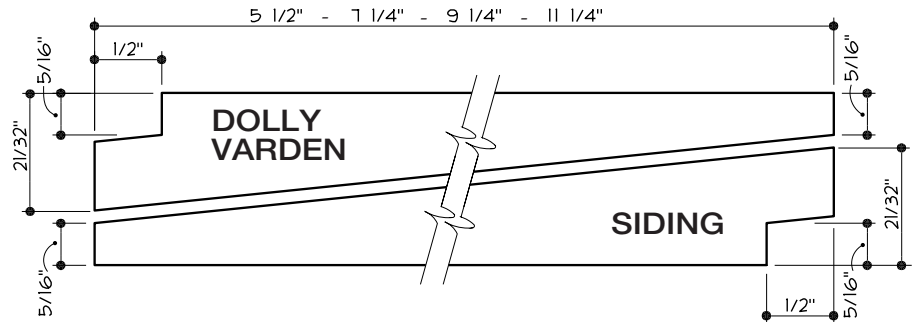
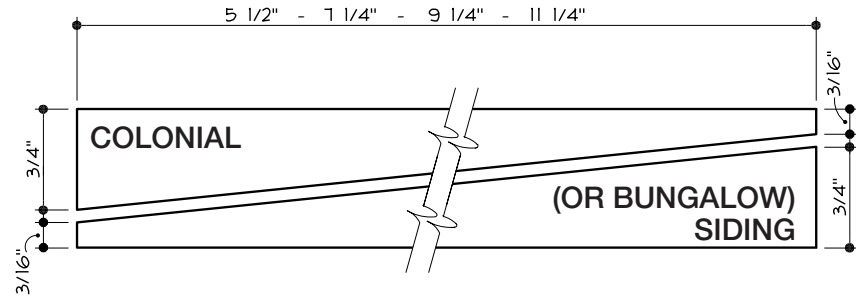
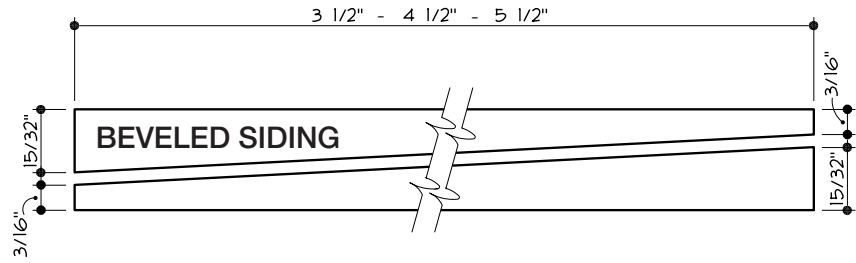
# Paneling



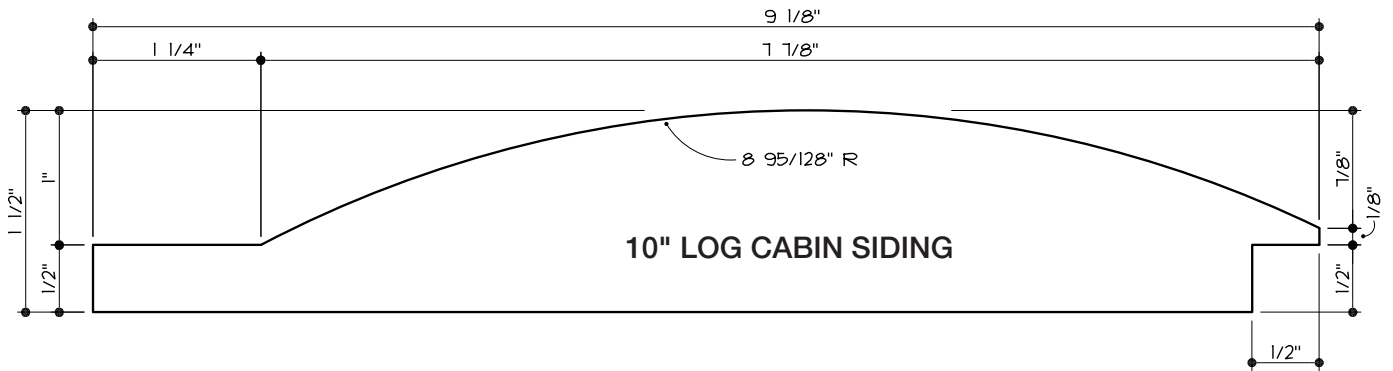
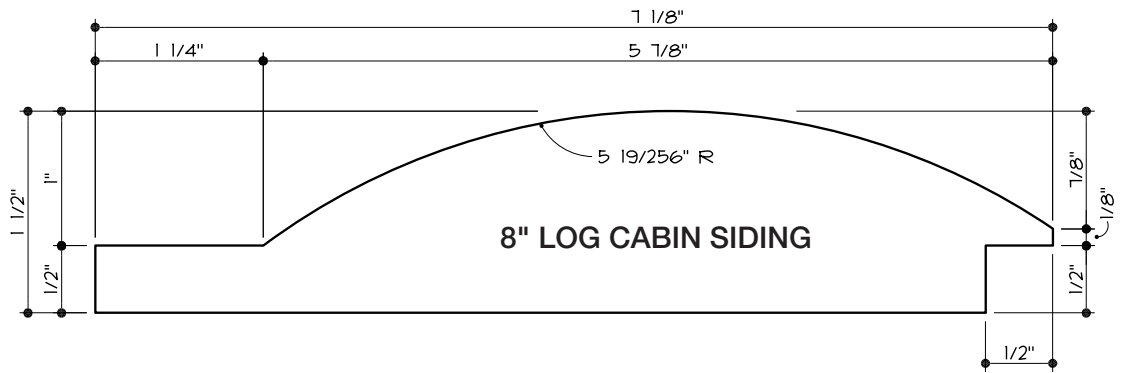
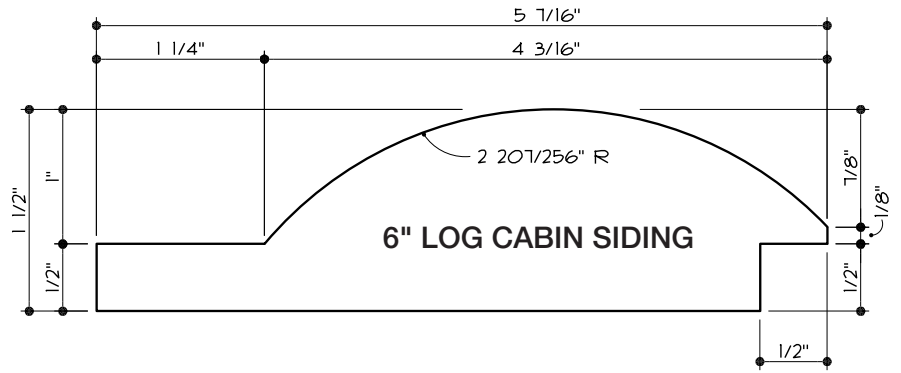
# Paneling and Siding



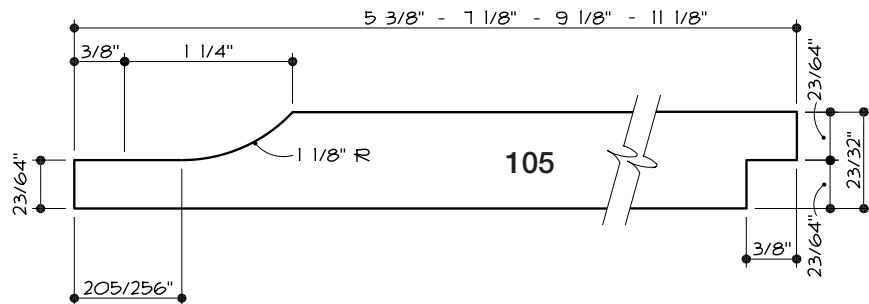
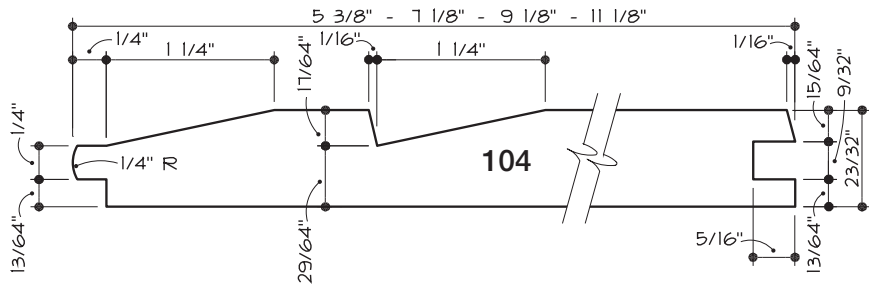
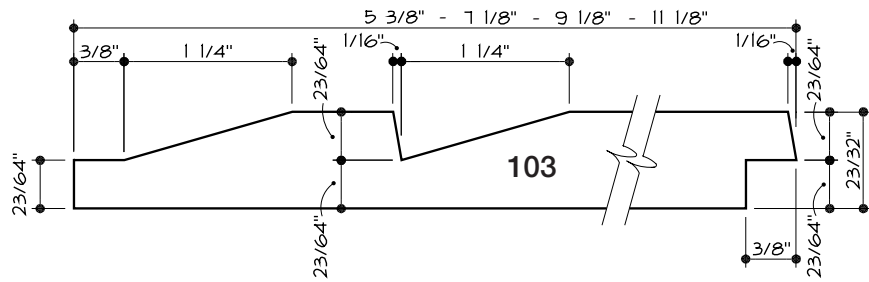
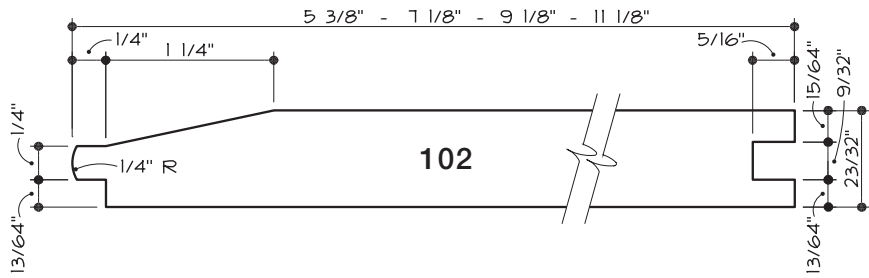
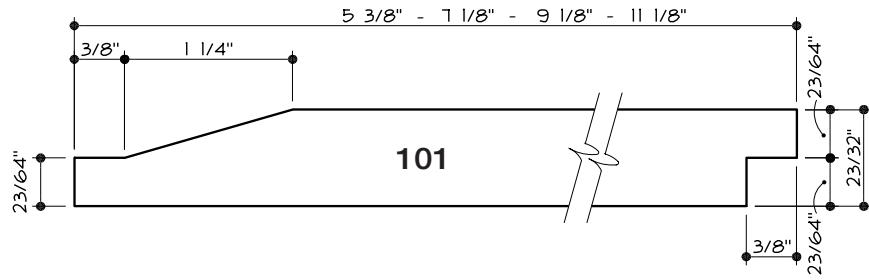
# Siding



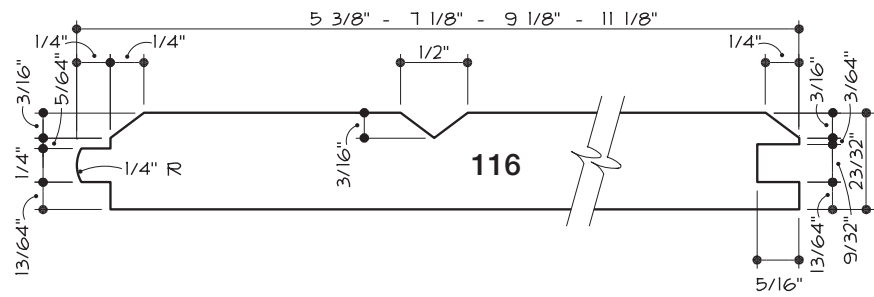
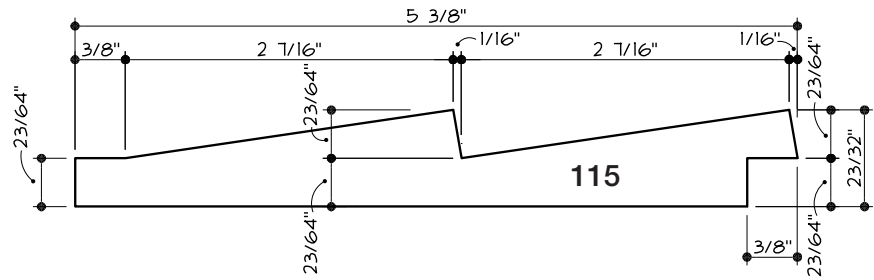
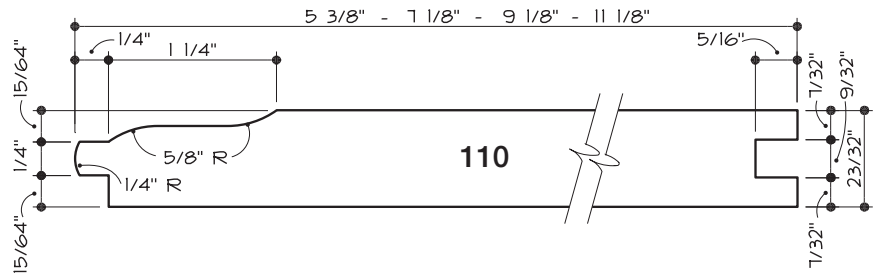
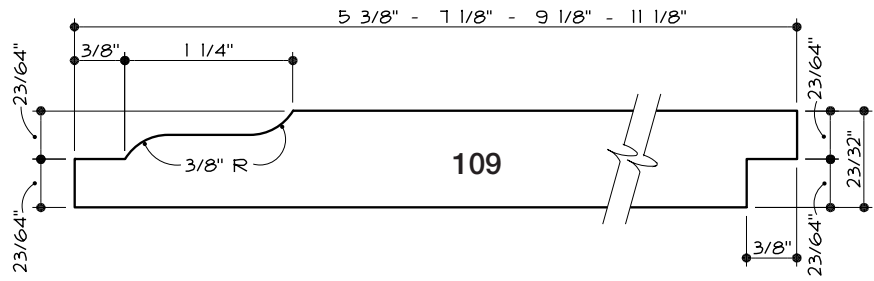
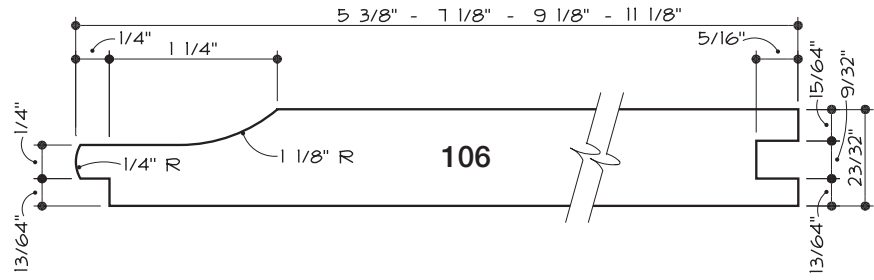
# Siding



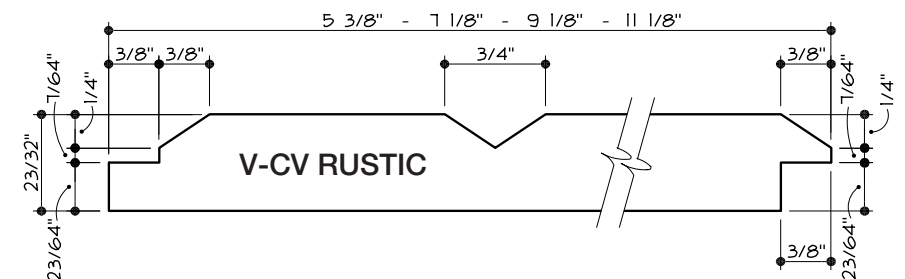
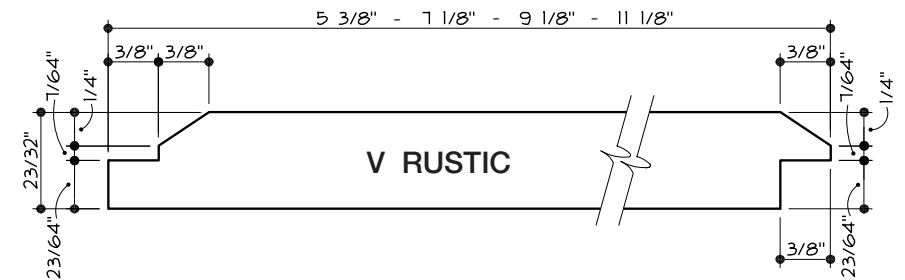
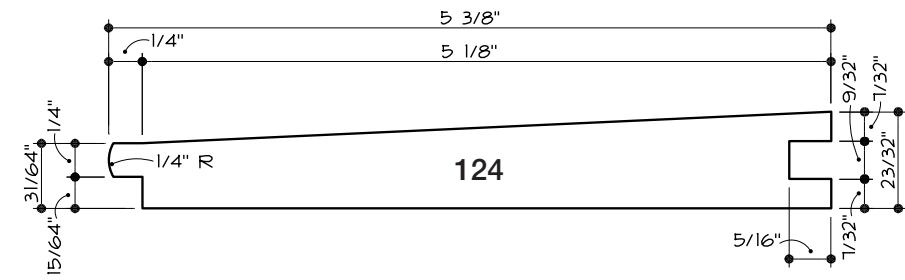
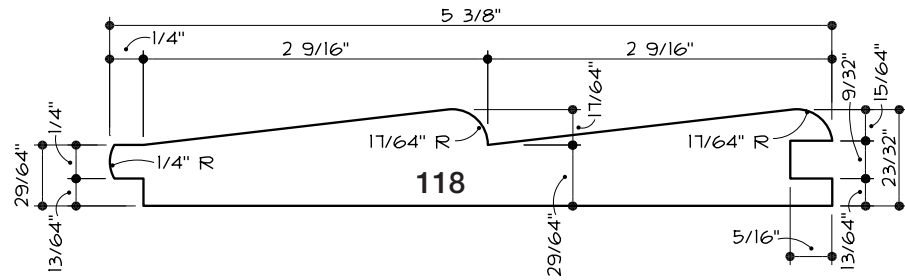
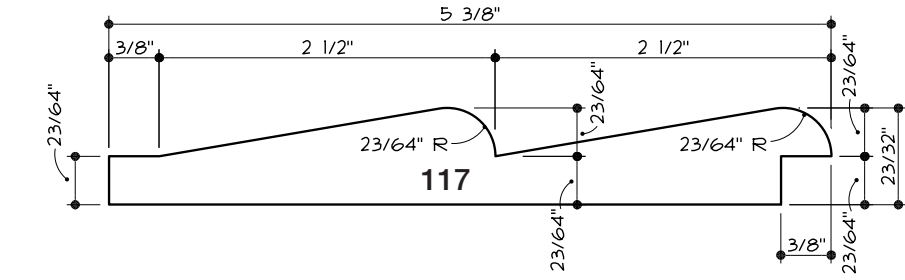
# Siding



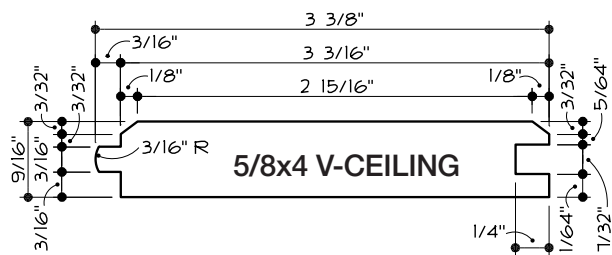
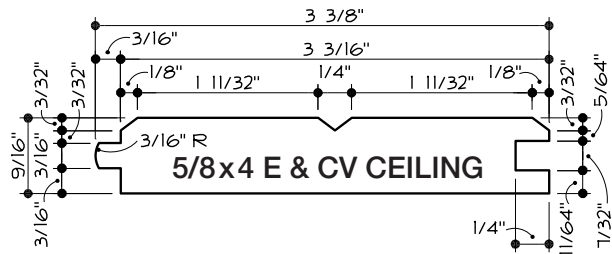
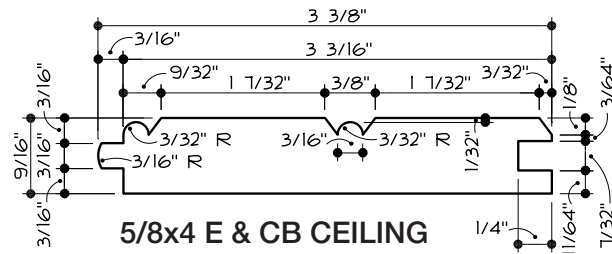
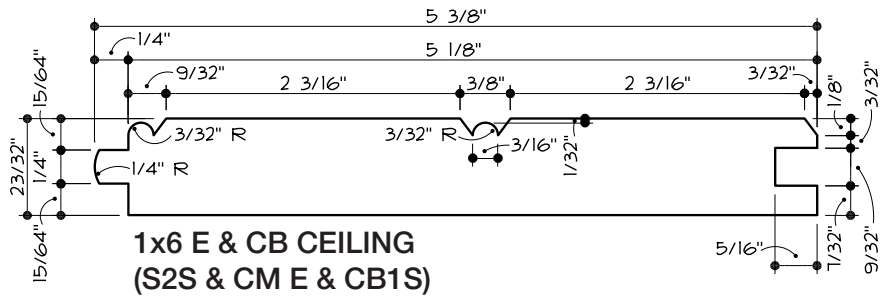
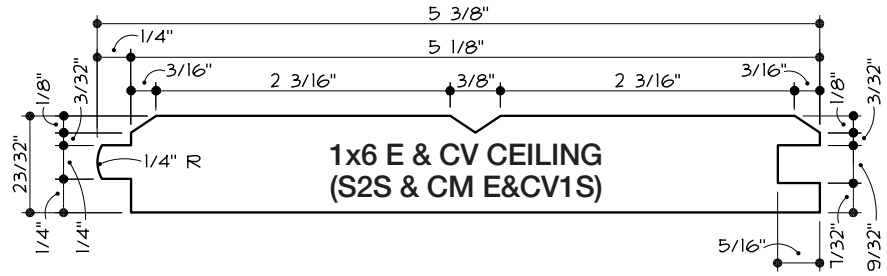
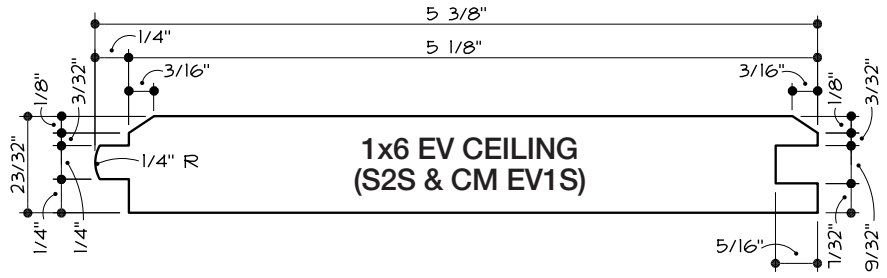
# Siding



# Siding

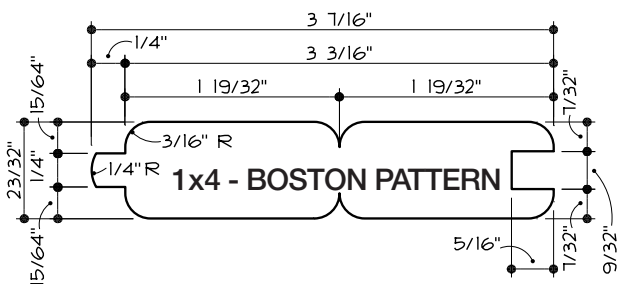
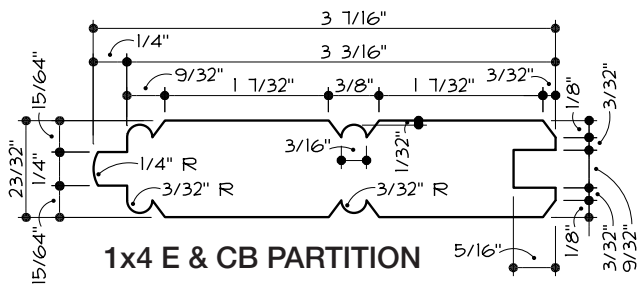
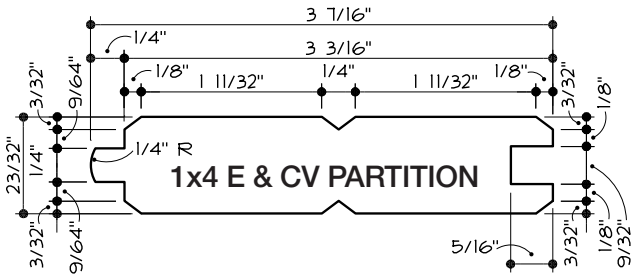
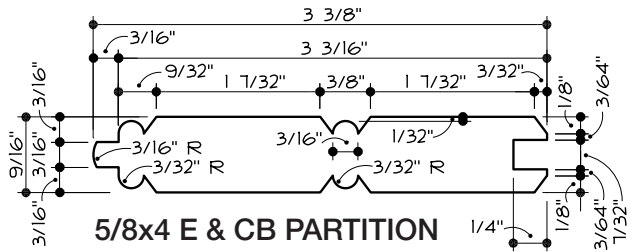
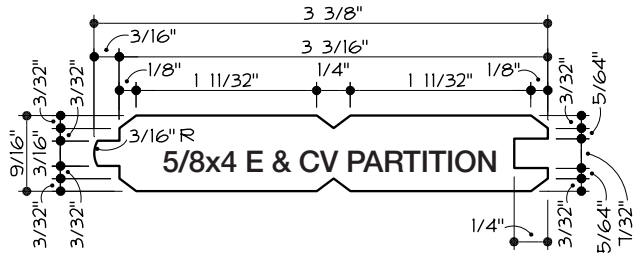
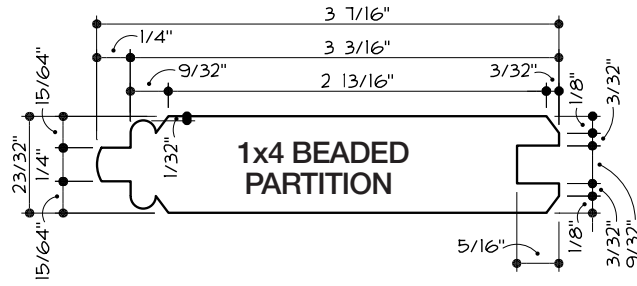


# Ceiling

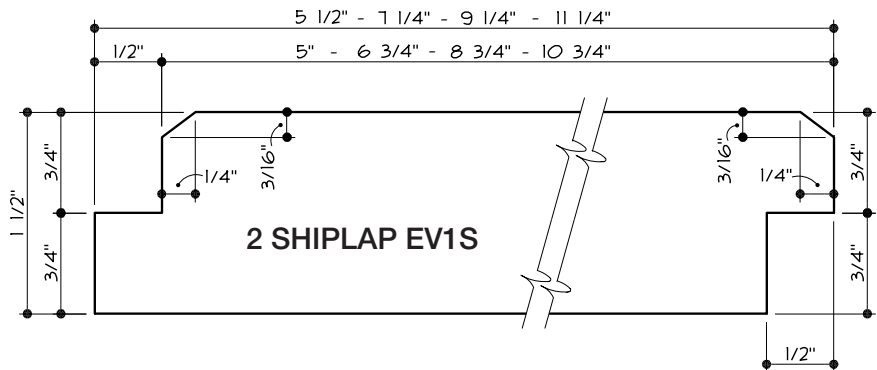
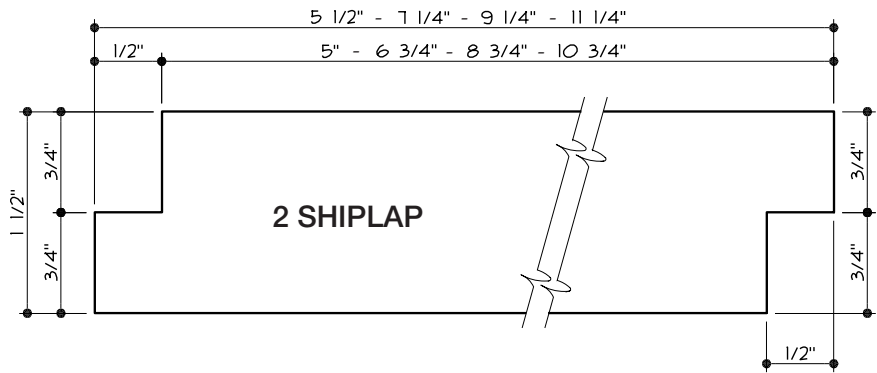
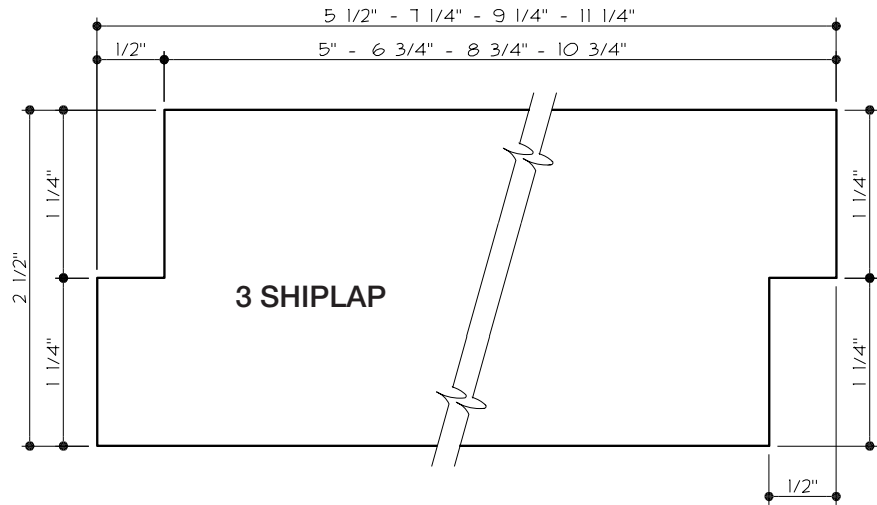
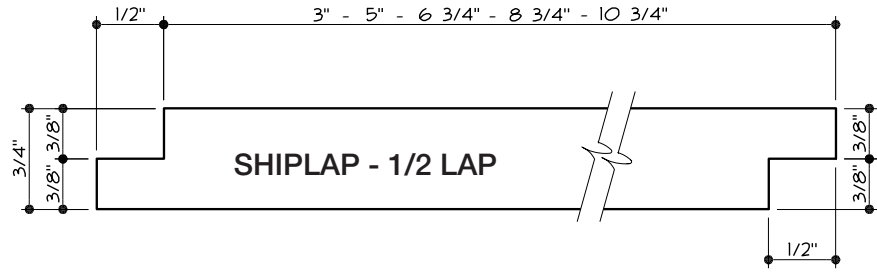
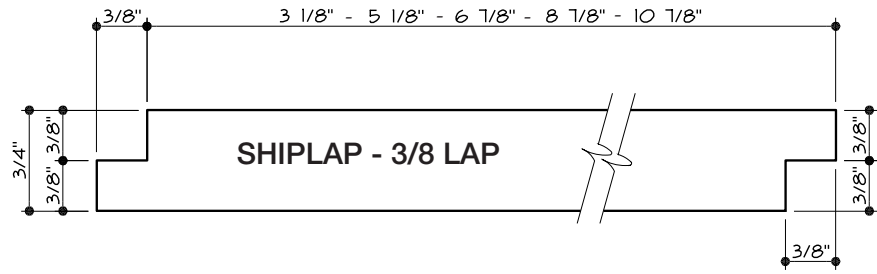




# Partition

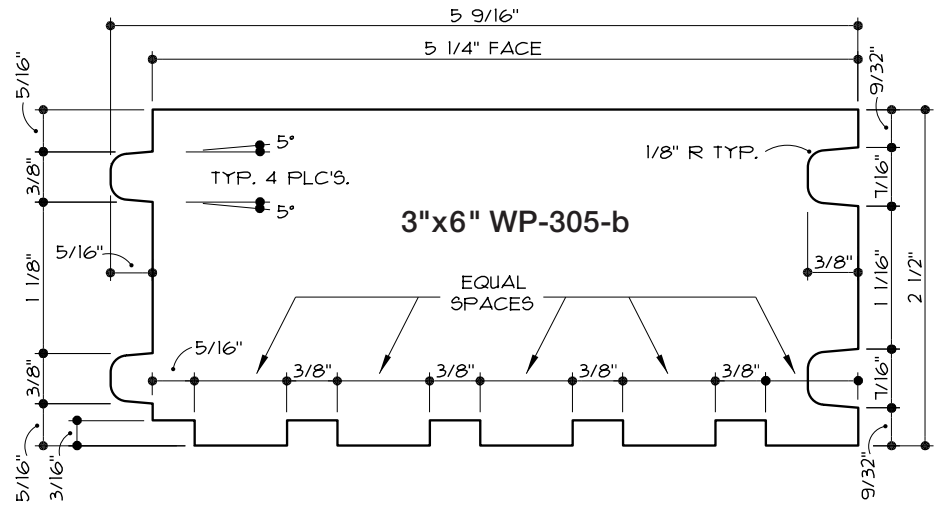
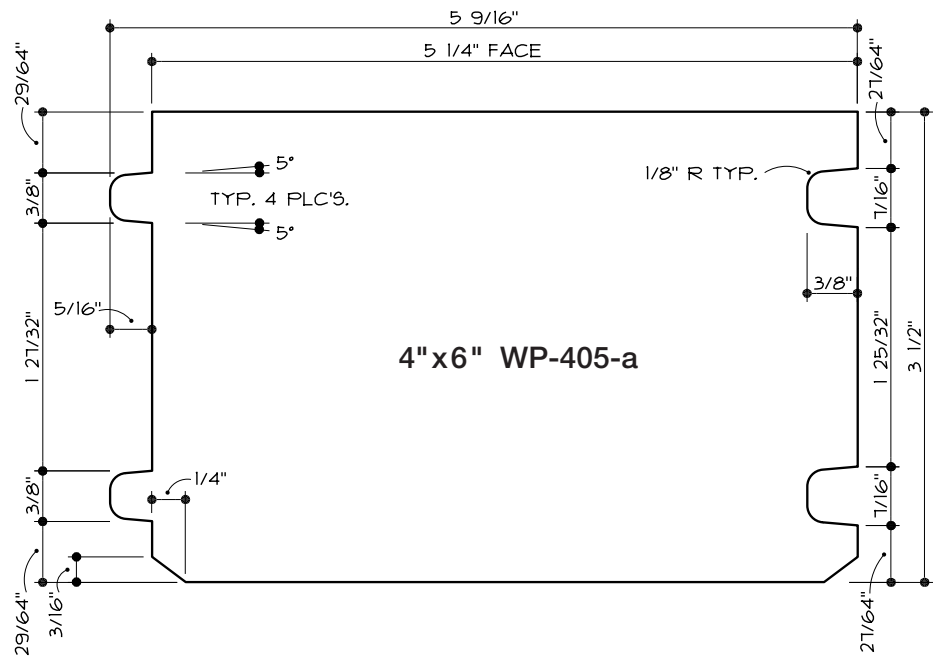
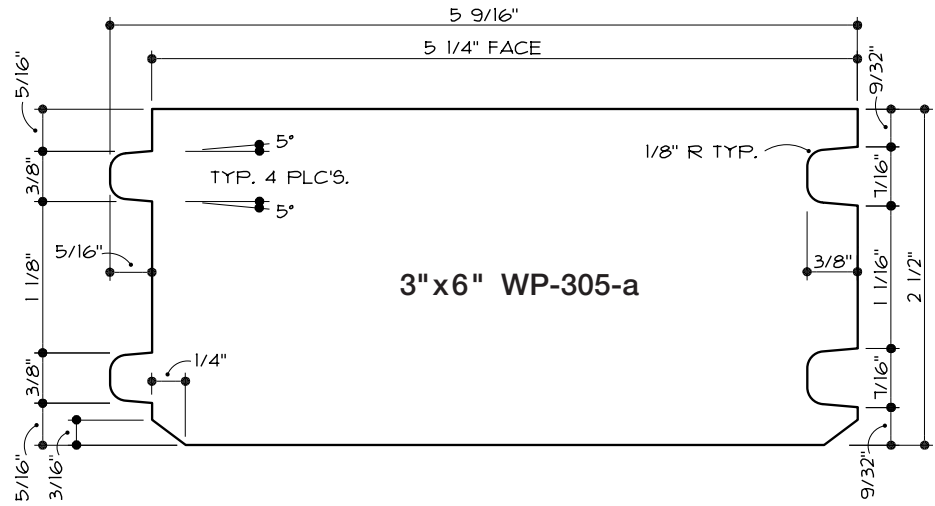


# Shiplap



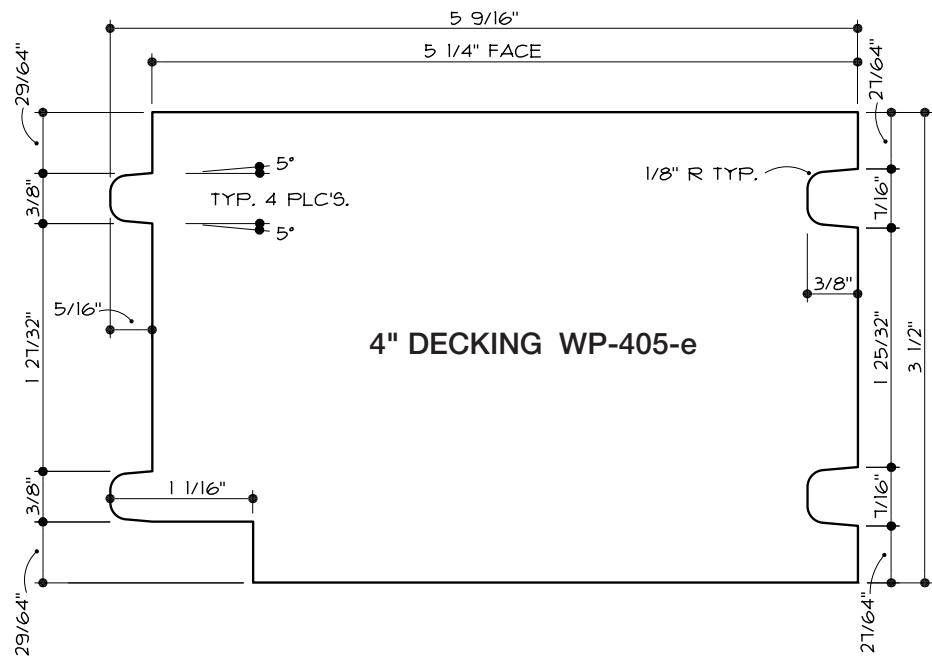
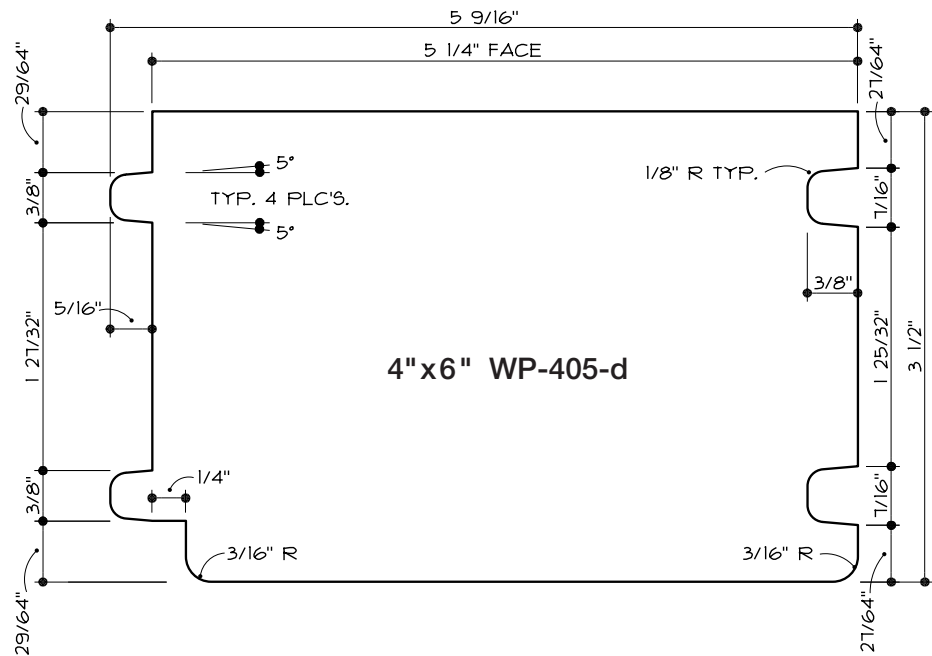
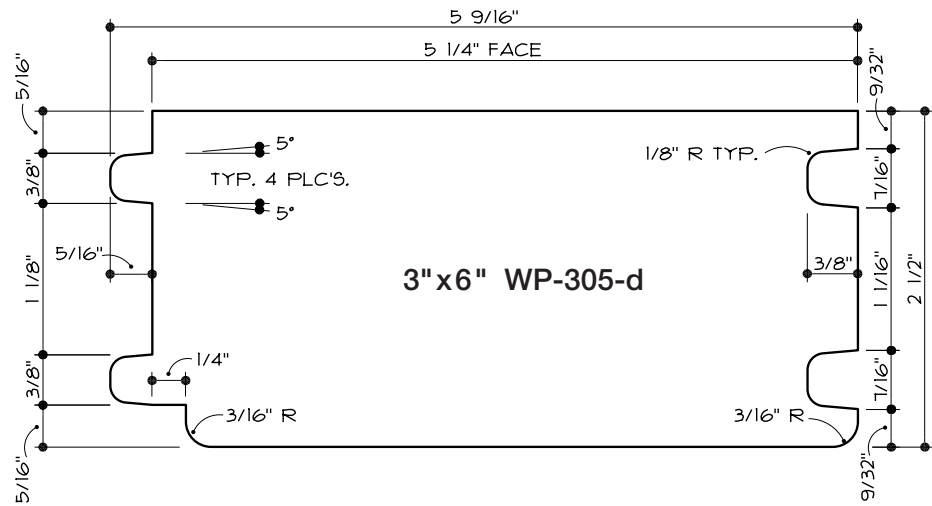


# Decking

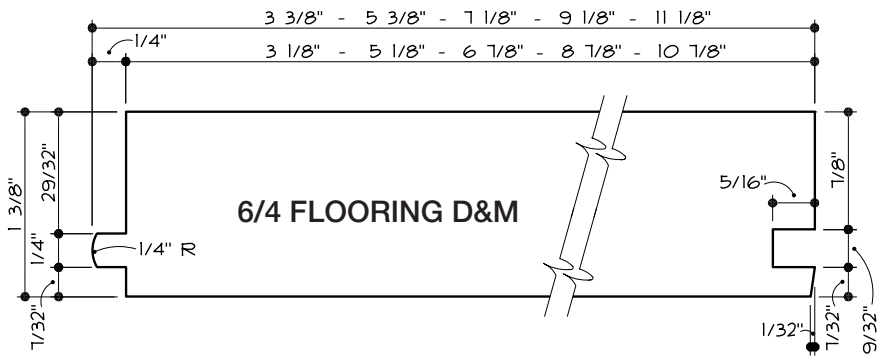
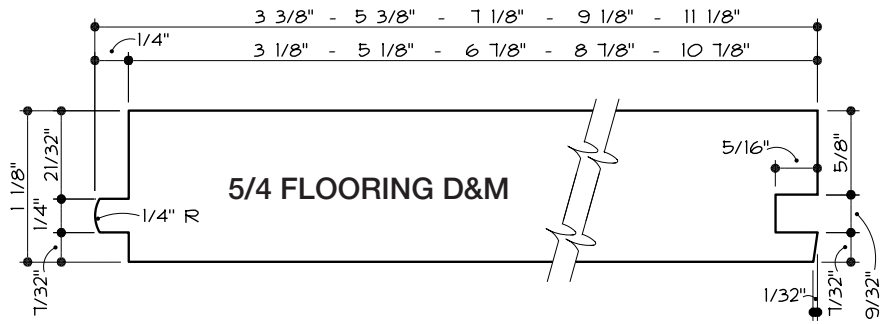
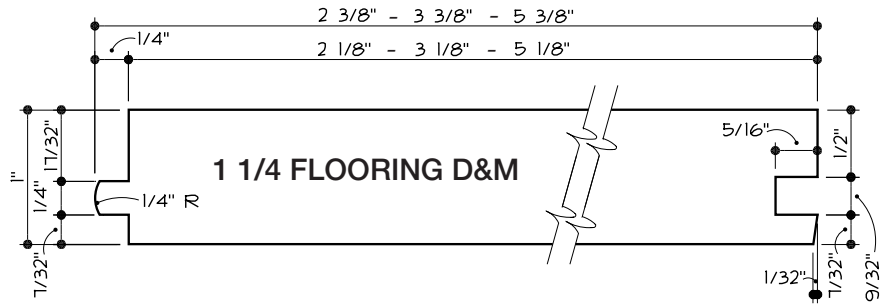
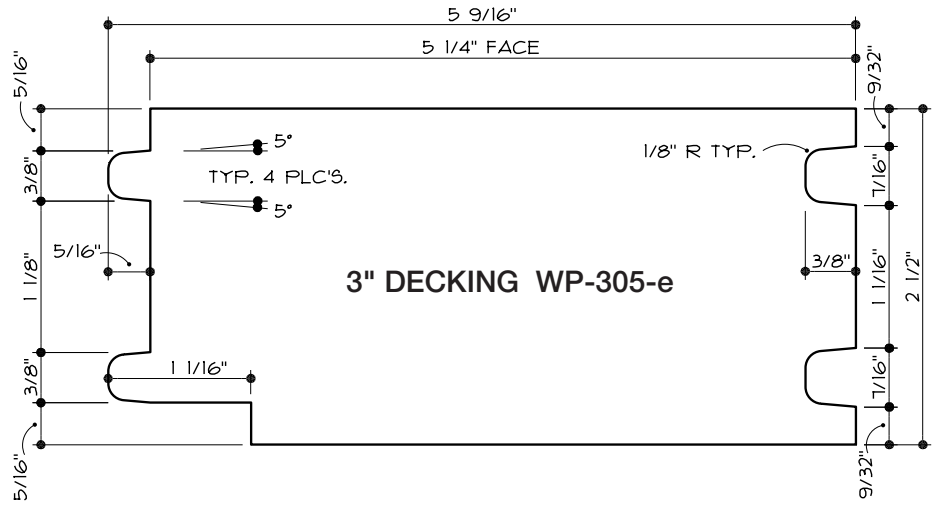




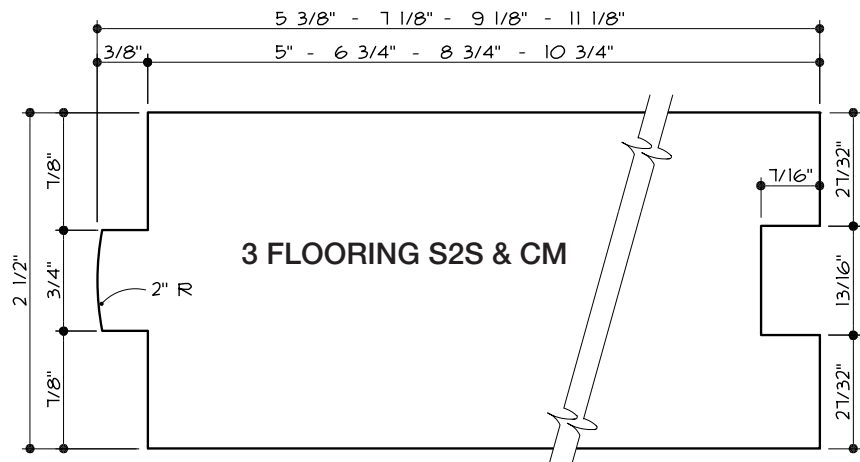
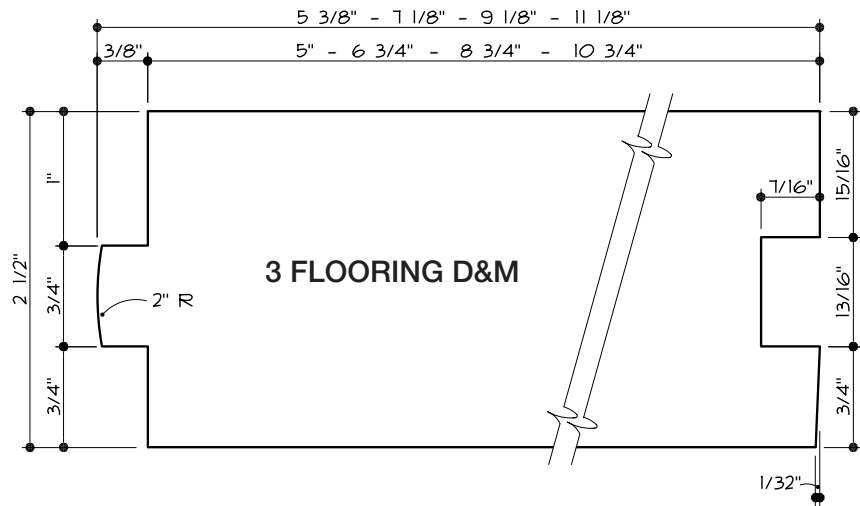
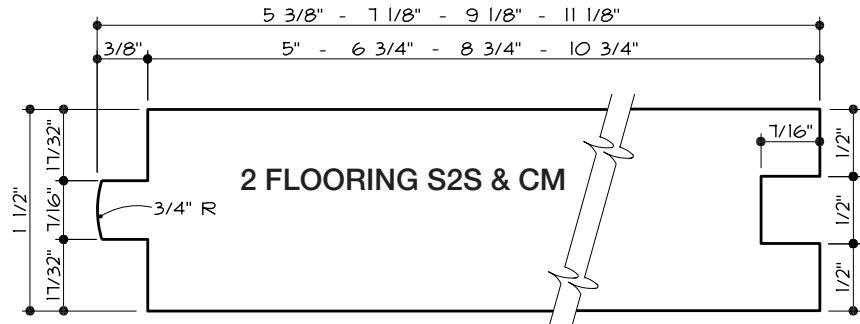
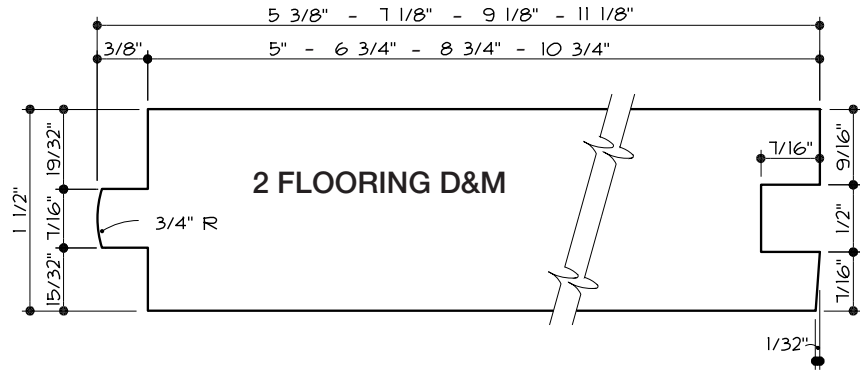
# Decking



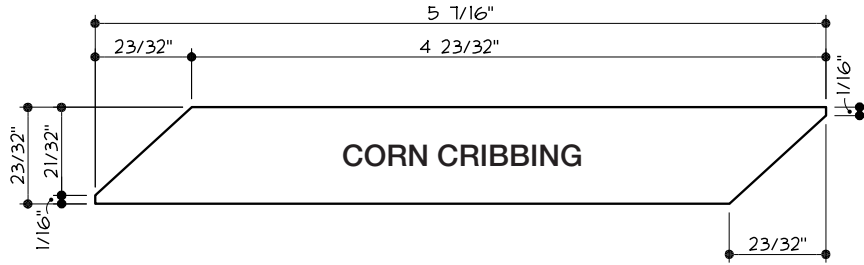
# Decking and Flooring



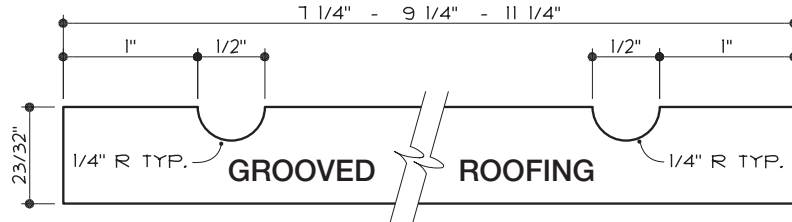
# Flooring



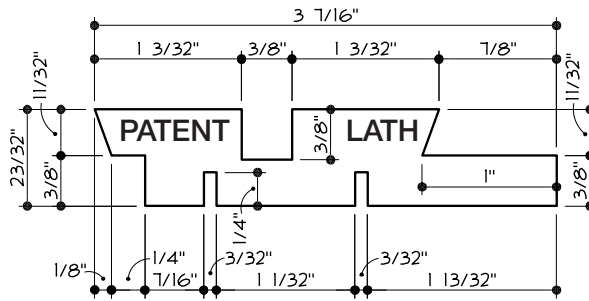
# Corn Cribbing



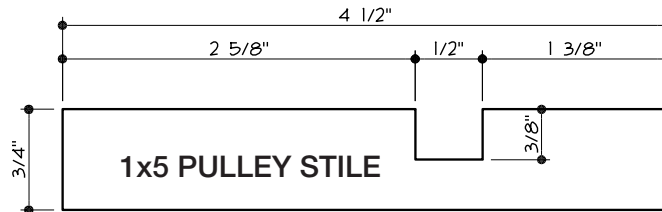
# Grooved Roofing



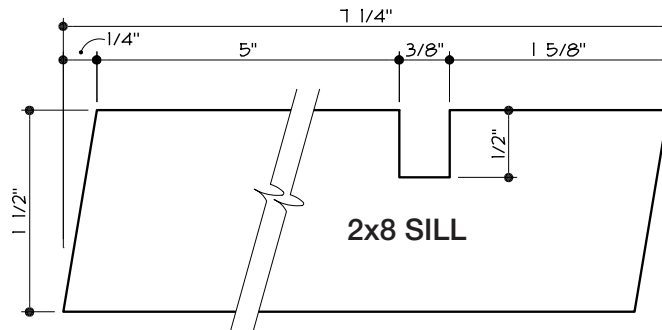
# Patent Lath



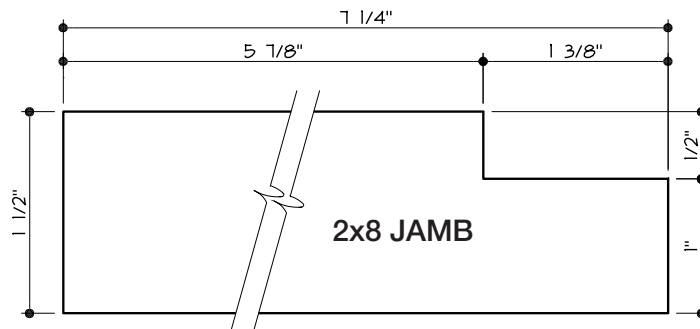
# Stile



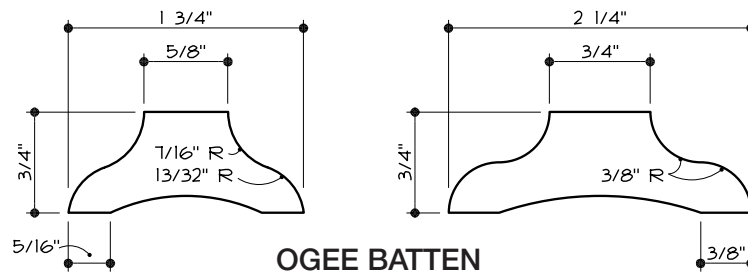
# Sill



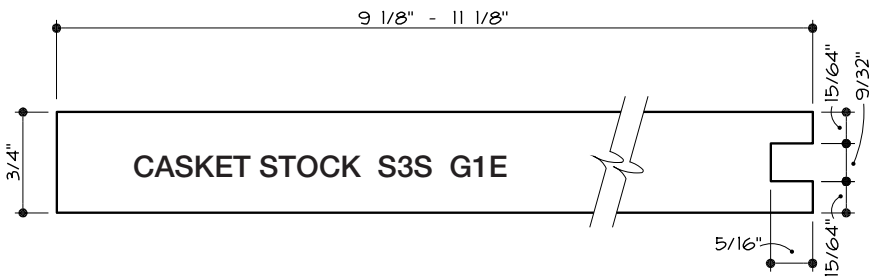
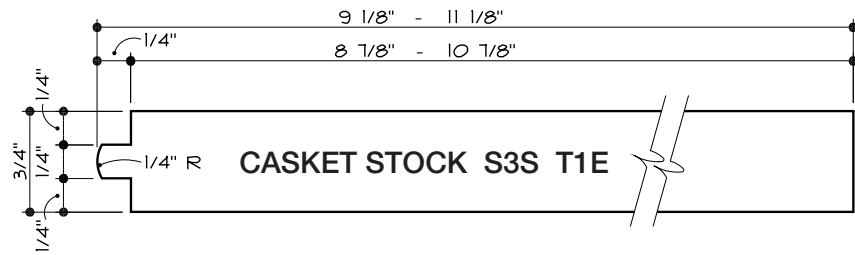
# Jamb



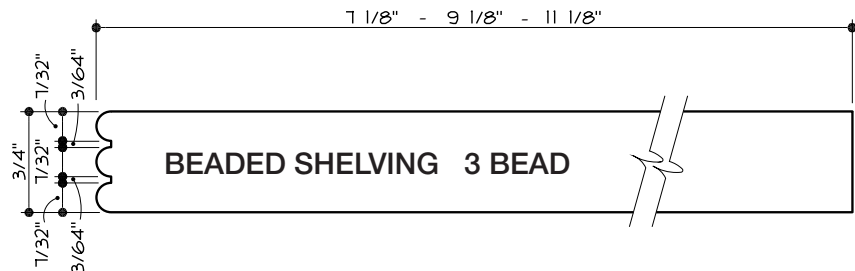
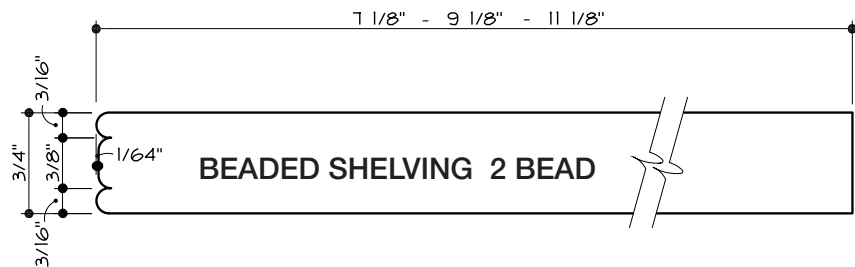
## Ogee Batten



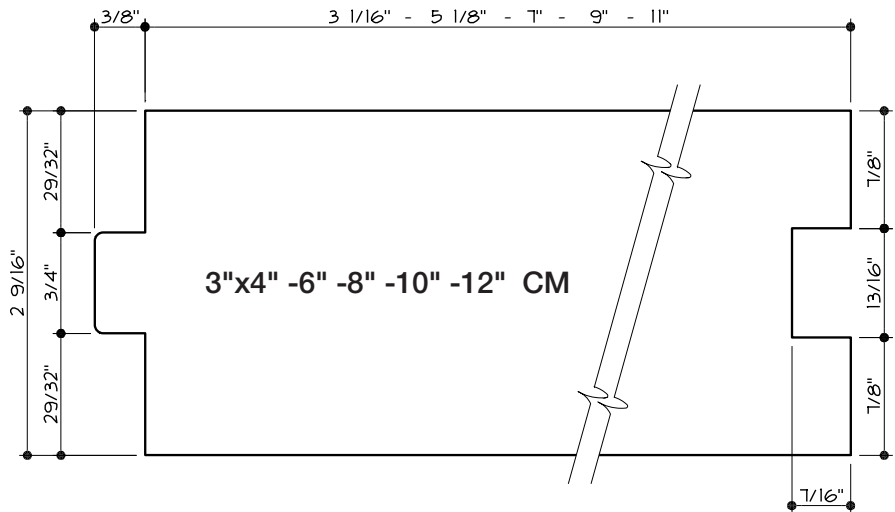
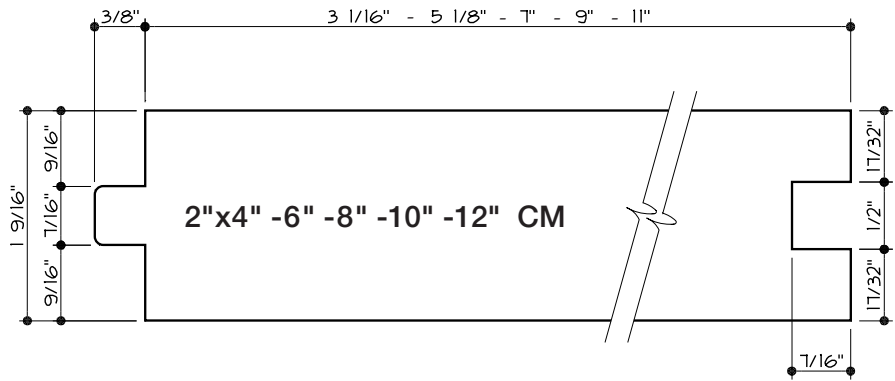
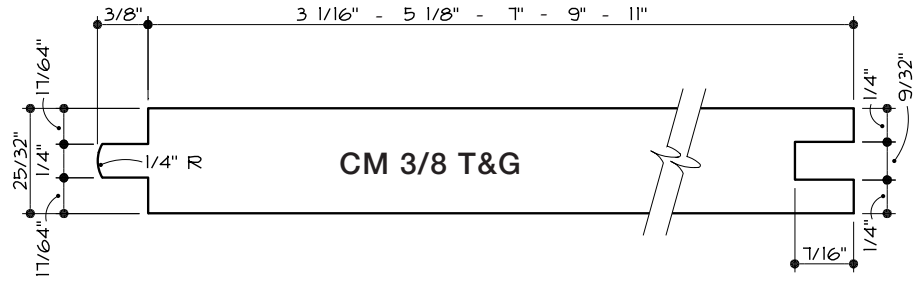
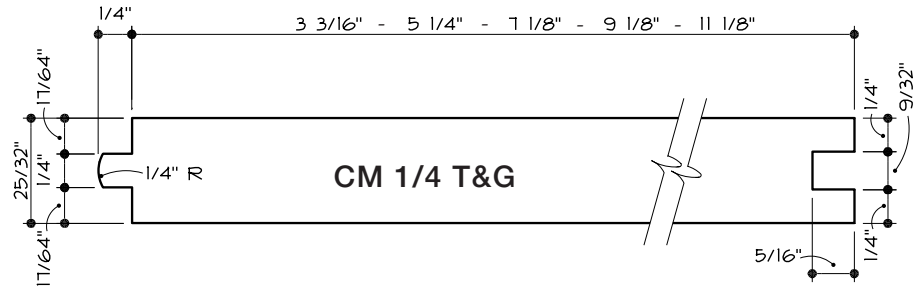
## Casket Stock



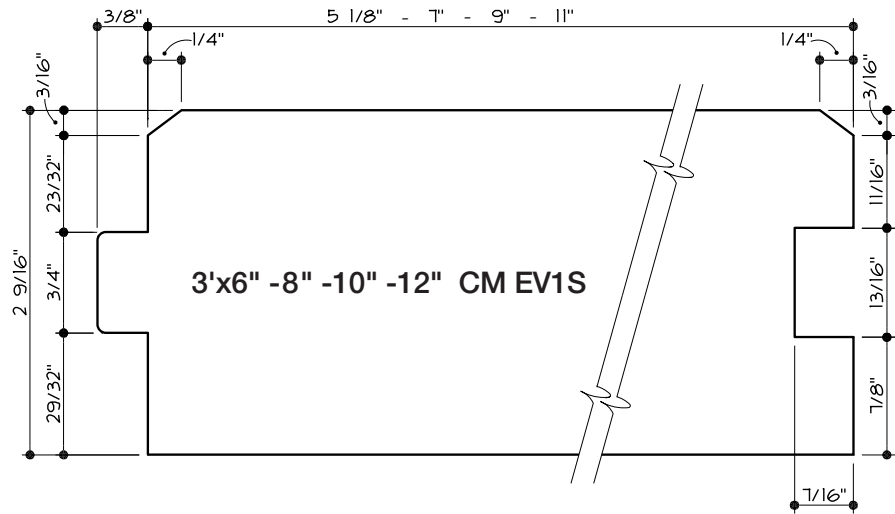
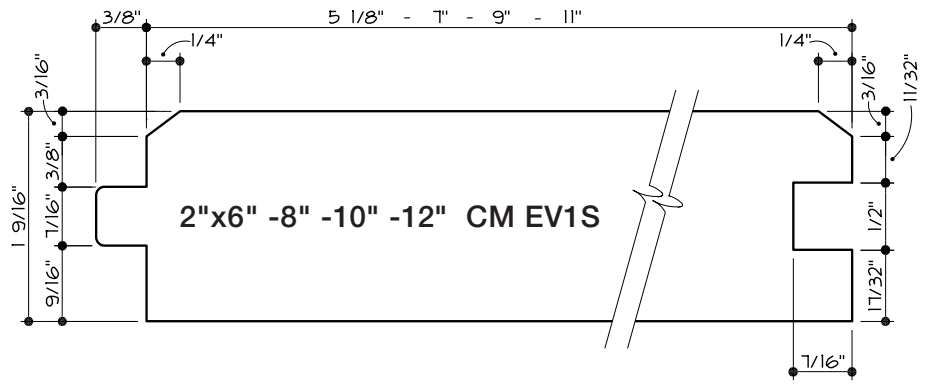
## Beaded Shelving



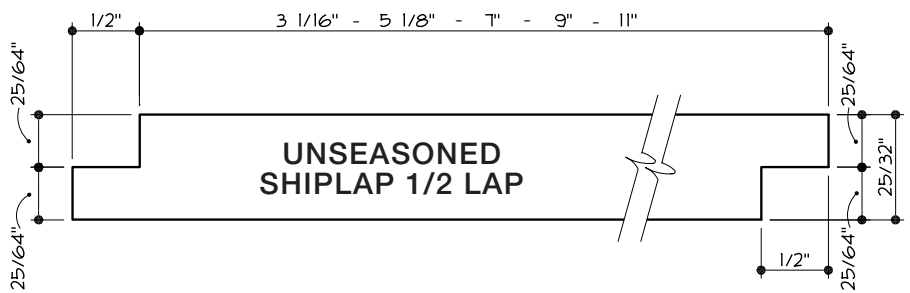
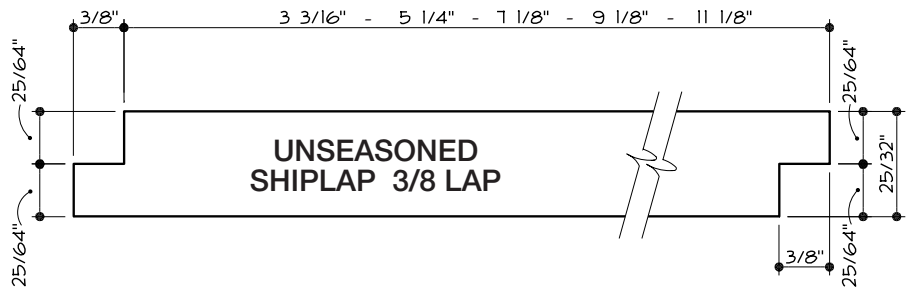
# Unseasoned Tongued & Grooved



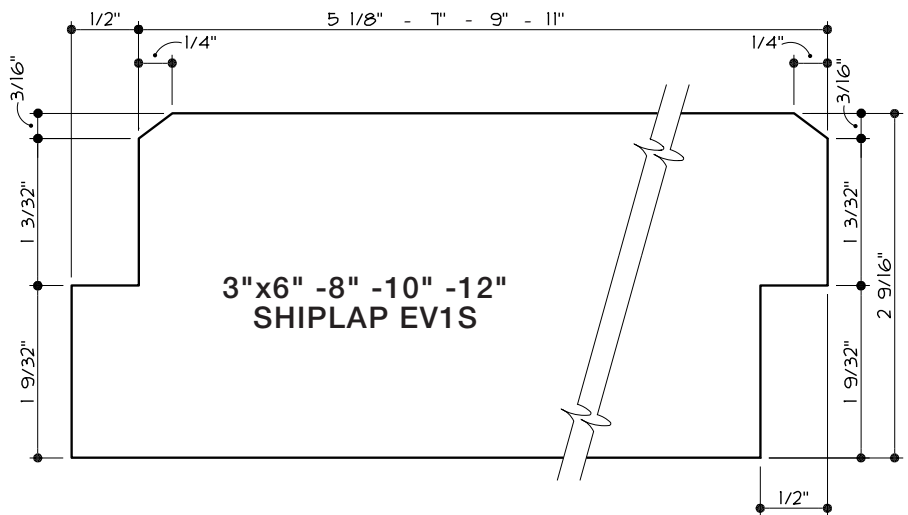
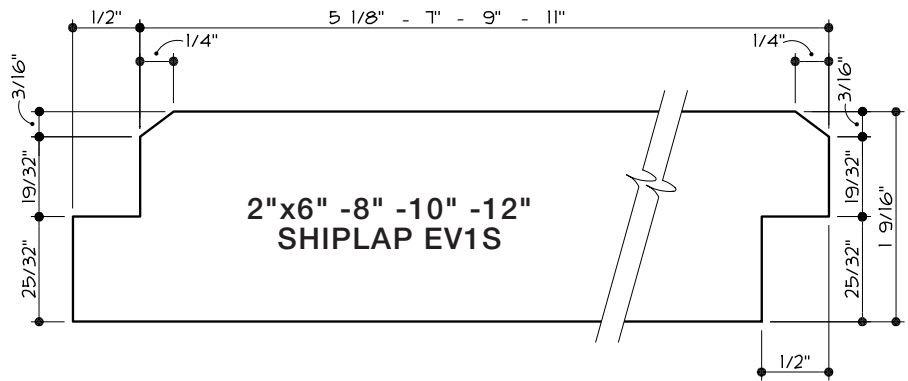
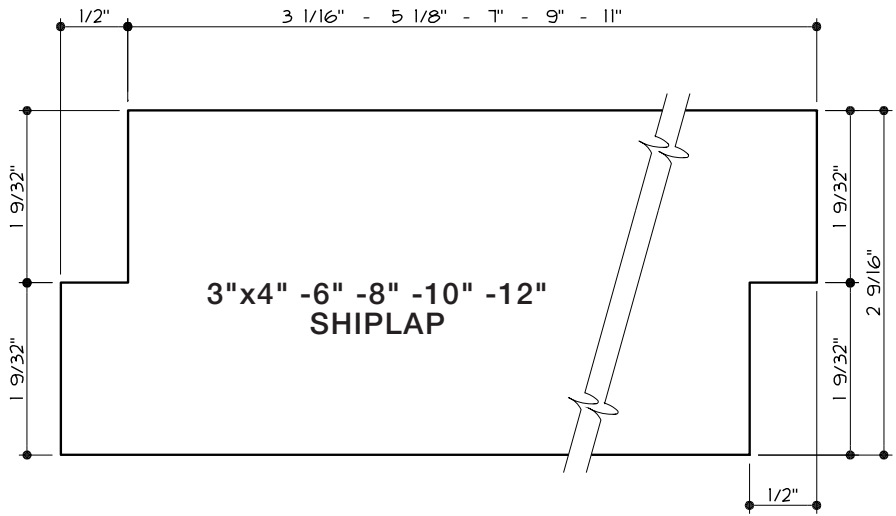
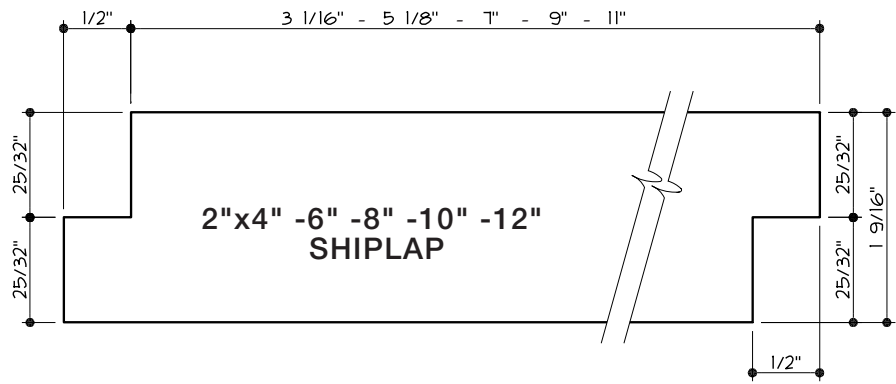
# Unseasoned Tongued & Grooved



# Unseasoned Shiplap



# Unseasoned Shiplap



## Coverage Calculations

Siding and paneling are usually sold either by the lineal (*running*) foot or by the board foot.

To simplify cost and coverage estimations, select the appropriate factor from the table at right according to how the material is priced. The factors provided in the table can be used to calculate the amount of siding required either in lineal feet or in board feet.

In either case, the square footage of the area to be covered is calculated first, then multiplied by the appropriate factor.

### Procedure:

- A) Calculate the square footage in walls:  
length x width = sq. ft.
- B) Calculate, and then subtract, the square footage of openings. Now add 10% for trim and waste.
- C) Multiply the result by either the factor for lineal feet **or** the factor for board feet.
- D) Multiply the total footage required by price.

### Additional Information

Additional information and titles referenced in this publication are available for purchase from WWPA online at [www.wwpa.org](http://www.wwpa.org).

For a full description of technical publications available and a printable order form, go to the WWPA Internet site.

## COVERAGE ESTIMATOR

| Pattern                      | Nominal Width | Width   |  | Factor for Lineal Feet <sup>1</sup> | Factor for Board Feet <sup>2</sup> |
|------------------------------|---------------|---------|--|-------------------------------------|------------------------------------|
|                              |               | Dressed | Exposed Face   |                                     |                                    |
| Bevel & Bungalow             | 4             | 3½      | 2½   | 4.8                                 | 1.60                               |
|                              | 6             | 5½      | 4½   | 2.67                                | 1.33                               |
|                              | 8             | 7¼      | 6¼   | 1.92                                | 1.28                               |
|                              | 10            | 9¼      | 8¼   | 1.45                                | 1.21                               |
| Dolly Varden                 | 4             | 3½      | 3  | 4.0                                 | 1.33                               |
|                              | 6             | 5½      | 5  | 2.4                                 | 1.2                                |
|                              | 8             | 7¼      | 6¾   | 1.78                                | 1.19                               |
|                              | 10            | 9¼      | 8¾   | 1.37                                | 1.14                               |
|                              | 12            | 11¼     | 10¾  | 1.12                                | 1.12                               |
| Drop, T&G and Channel Rustic | 4             | 3¾      | 3¾   | 3.84                                | 1.28                               |
|                              | 6             | 5¾      | 5½   | 2.34                                | 1.17                               |
|                              | 8             | 7½      | 6¾   | 1.75                                | 1.16                               |
|                              | 10            | 9½      | 8¾   | 1.35                                | 1.13                               |
| Log Cabin                    | 6             | 5⅞      | 4⅞   | 2.43                                | 2.43                               |
|                              | 8             | 7⅞      | 6⅞   | 1.81                                | 2.42                               |
|                              | 10            | 9⅞      | 8⅞   | 1.39                                | 2.32                               |
| Boards                       | 2             | 1½      | The exposed face width will vary depending on size selected and on how the boards-and-battens or boards-on-boards are applied. Minimum overlap is ½". Determine the exposed face, then refer to footnotes to calculate factor. |                                     |                                    |
|                              | 4             | 3½      |  |                                     |                                    |
|                              | 6             | 5½      |  |                                     |                                    |
|                              | 8             | 7¼      |  |                                     |                                    |
|                              | 10            | 9¼      |  |                                     |                                    |

<sup>1</sup> Lineal Foot Factor is derived by dividing 12" by the exposed face width.

<sup>2</sup> Board Foot Factor is derived by dividing the nominal width by the exposed face width and is based on nominal 1" stock, except log cabin. Log cabin is based on 2" thickness. For nominal 1½" log cabin, multiply by .75.

Note: Factors do not include any allowance for trim or waste and do not apply to diagonal installations. A 10% allowance (for trim and waste) should be added to the square footage required before the factors are used. Refer to *Procedure* at left.

## Checklist for a Siding Material Specification

- Select species suited to the project.
- List grade names, paragraph numbers and rules-writing agency. (Refer to Grade Selector chart on back cover).
- Specify surface texture for exposed face.
- Specify moisture content suited to the project.
- If gradestamped, specify lumber to be stamped on back or ends. (WWPA's **Specifying Lumber** [A-2] offers additional information.)
- Specify VG (vertical grain) if appropriate and available.
- Specify pattern and size (WWPA's **Natural Wood Siding** [TG-8] and **Paneling Basics** [A-3] offer additional information.)

# Western Lumber Grades

| GRADE SELECTOR CHART-ALL SPECIES  |                |  |  |  |   |                    |                   |
|---|----------------|--|--|--|---|--------------------|-------------------|
| General Categories<br><i>(Note that there are additional grades for bevel pattern.)</i> |                | GRADES   |  |  | Grade Rule Paragraph Reference & Specifying |                    |                   |
|   |                | WESTERN SPECIES  |  | CEDAR<br>Western & Canadian  | WWPA <sup>2</sup>                           | WCLIB <sup>3</sup> | NLGA <sup>4</sup> |
|   |                | Selects <sup>1</sup>   | Finish   |  |   |                    |                   |
| All Patterns  | Premium Grades | B&Better (IWP Supreme)   | Superior<br>Prime  | <b>Clear Heart<sup>5</sup></b>   | 20.11                                       | 102-b              | 200a              |
|   |                | <b>C Select<sup>5</sup></b> (IWP Choice)   |  | <b>A Grade<sup>5</sup></b>   | 10.11                                       | -                  | -                 |
|   |                | <b>D Select<sup>5</sup></b> (IWP Quality)  |  | B Grade  | 20.12                                       | 102-c              | 200b              |
| Additional Grades for Bevel Patterns  | Premium        |  | Superior Bevel   | <b>Clear VG Heart<sup>5</sup></b>  | 21.11                                       | 106-aa             | 201a              |
|   |                |  |  | <b>A Bevel<sup>5</sup></b>   | 21.12                                       | 106-a              | 201b              |
|   | Knotty         |  | Prime Bevel  | B Bevel  | 16.11                                       | -                  | -                 |
|   |                |  |  | Rustic   | 21.13                                       | 106-b              | 201c              |
| All Patterns  | Knotty Grades  | Commons <sup>1</sup><br>1 Common (IWP Colonial)<br><b>2 Common</b> (IWP Sterling)<br>3 Common (IWP Standard)<br>4 Common (IWP Utility)<br>5 Common (IWP Economy) | Alternate Boards<br>Select Merch. Construction<br><br>Standard<br>Utility<br>Economy | Cedar<br><br><b>Select Knotty<sup>6</sup></b><br><b>Quality Knotty<sup>6</sup></b> | 201e  | 201e               | 201e              |
|   |                |  |  |  | 16.12                                       | -                  | -                 |
|   |                |  |  |  | -   | -                  | 205a              |
|   |                |  |  |  | -   | -                  | 205b              |
|   |                |  |  |  | 30.11                                       | -                  | -                 |
| 30.12   | 118-a          | 114a   |  |  |   |                    |                   |
| 118-b   | 118-b          | 114b   |  |  |   |                    |                   |
| -   | 111-e          | 204a   |  |  |   |                    |                   |
| -   | 111-f          | 204b   |  |  |   |                    |                   |
| 30.13   | -              | -  |  |  |   |                    |                   |
| 118-c   | 118-c          | 114c   |  |  |   |                    |                   |
| 30.14   | 118-d          | 114d   |  |  |   |                    |                   |
| 30.15   | 118-e          | 114e   |  |  |   |                    |                   |

**1** Equivalent grades, under the same paragraph numbers in WWPA Rules, are available in Idaho White Pine. Refer to *Western Lumber Grading Rules*.  
**2** Western Wood Products Association's *Western Lumber Grading Rules*.  
**3** West Coast Lumber Inspection Bureau's *West Coast Lumber Standard Grading Rules*.  
**4** National Lumber Grades Authority's *Standard Grading Rules for Canadian Lumber*.  
**5** Some clear grades may be specified VG (vertical grain). Common practice is to ship orders as a combination of vertical and flat grain, unless specified otherwise.  
**6** The widely used marketing term, "STK" usually describes a combination of Select Knotty and Quality Knotty, sometimes marketed with approximately 15% of the order in Quality Knotty.  
**The grade names in bold face type are the most widely available grades.** These are often specified as a grade combination that includes some portion of material in the next higher grade; i.e. C&Btr Select, D&Btr Select, A&Btr Cedar, 2&Btr Common, 3&Btr Common or Std&Btr (Standard & Better).



## WESTERN WOOD PRODUCTS ASSOCIATION

522 SW Fifth Avenue, Suite 500  
 Portland, OR 97204-2122  
 tel: 503-224-3930 e-mail: info@wwpa.org  
 fax: 503-224-3934 web site: www.wwpa.org

